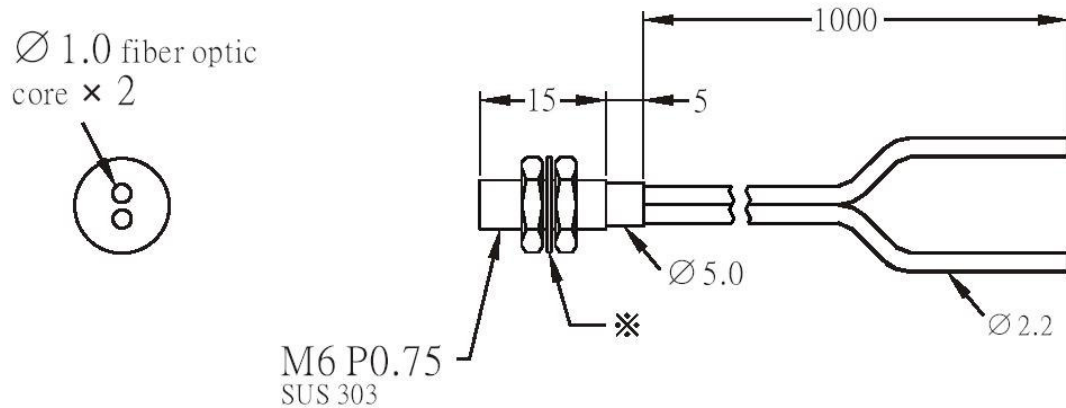


Fibras Ópticas:

FO-FR610-F



Fiber material	Plastic
Fiber Type	Standard
Fiber diameter	D d $\varnothing 2.2$ $\varnothing 1.0$
Operate temperature	$-55^{\circ}\text{C} \sim +70^{\circ}\text{C}$
Minimum bending radius	R25
Sensing distance/FZ-KP2	90mm