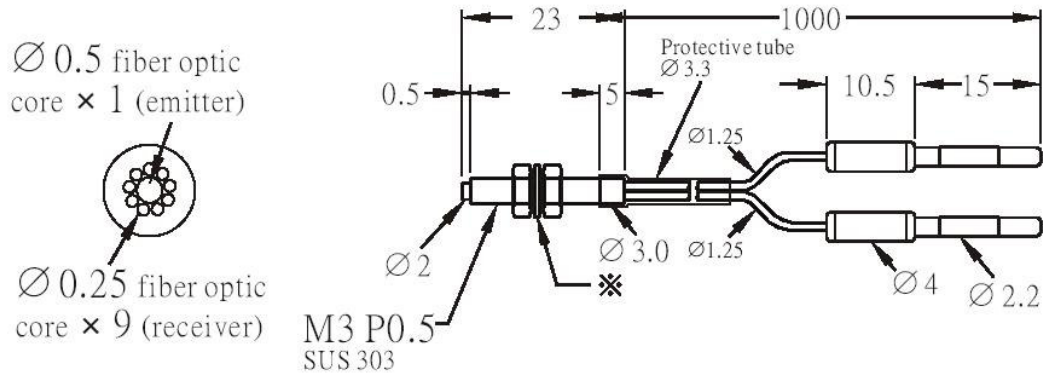


Fibras Ópticas:

FO-FRC310



Fiber material	Plastic
Fiber Type	Coaxial
Fiber diameter	D $\varnothing 1.25\text{mm} \times 1$ $\varnothing 1.25\text{mm} \times 1$ d $0.5\text{mm} \times 1$ $0.25\text{mm} \times 9$
Operate temperature	$-55^{\circ}\text{C} \sim +70^{\circ}\text{C}$
Minimum bending radius	R15
Sensing distance/FZ-KP2	30mm