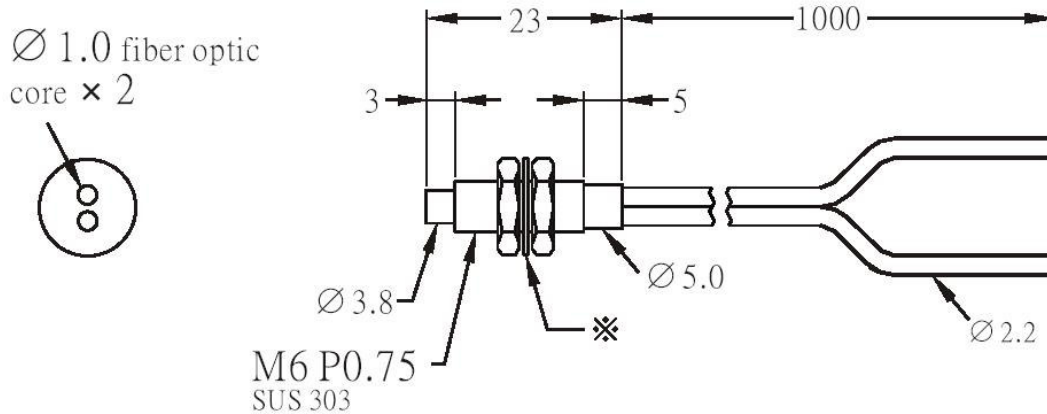


Fibras Ópticas:

FO-FRH610



Fiber material	Plastic
Fiber Type	Heat Resistant
Fiber diameter	D $\varnothing 2.2$ d $\varnothing 1.0$
Operate temperature	$-55^{\circ}\text{C} \sim +115^{\circ}\text{C}$
Minimum bending radius	R25
Sensing distance/FZ-KP2	80mm