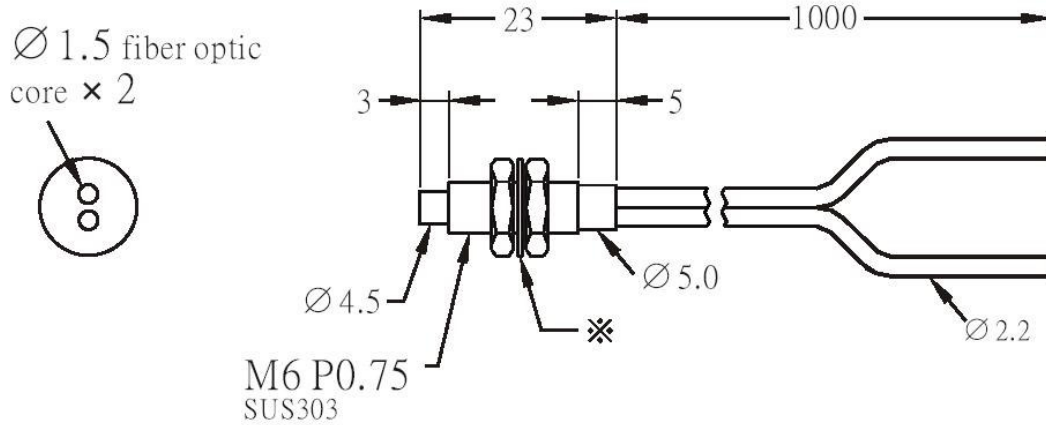


**Fibras Ópticas:**

**FO-FRX610**



Fiber material	Plastic
Fiber Type	Long sensing range
Fiber diameter	D $\varnothing 2.2$ d $\varnothing 1.5$
Operate temperature	$-55^{\circ}\text{C} \sim +70^{\circ}\text{C}$
Minimum bending radius	R40
Sensing distance/FZ-KP2	120mm