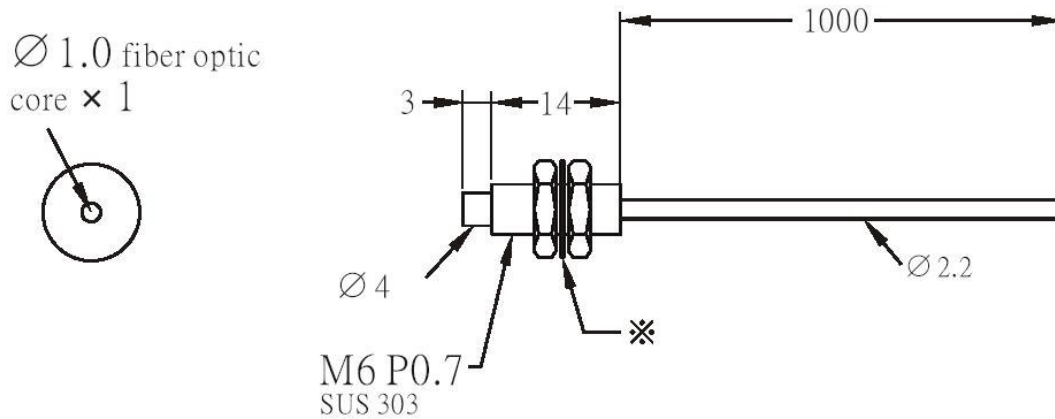


**Fibras Ópticas:**

**FO-FT610**



Fiber material	Plastic
Fiber Type	Standard
Fiber diameter	D d $\varnothing 2.2$ $\varnothing 1.0$
Operate temperature	- 55°C ~ + 70°C
Minimum bending radius	R25
Sensing distance/FZ-KP2	500mm