
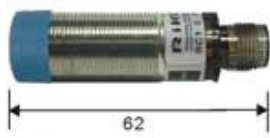


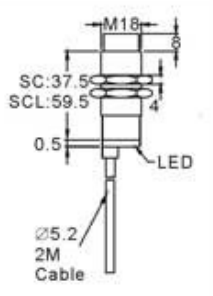
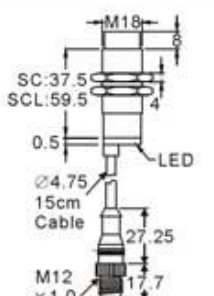
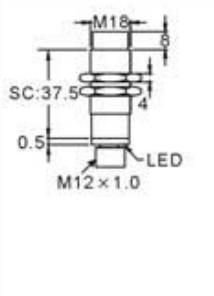
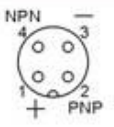
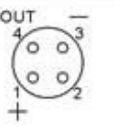
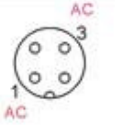
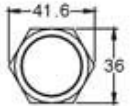


Sensor Inductivo M18, SCL1808-KP2.

Specifications/規格表:				
<p>SC1808-□K</p>  <p>45.5</p> <p>SC1808-□K1/M1</p>  <p>62</p> <p>K1 Plastic</p>  <p>M1 Nickel plated brass</p> <p>SCL1808-□</p>  <p>67.5</p> <p><unit:mm></p>		 <p>M18 SC:37.5 SCL:59.5 0.5 LED ∅5.2 2M Cable</p>	 <p>M18 SC:37.5 SCL:59.5 0.5 LED ∅4.75 15cm Cable M12 ×1.0 17.7</p>	 <p>M18 SC:37.5 SCL:59.5 0.5 LED M12 × 1.0</p>
		-KP2K -KP2K1/M1	□K □K1/M1	-A□
		 <p>NPN 4 3 1 2 +</p>	 <p>OUT 4 3 1 2 +</p>	 <p>AC 4 3 1 2 AC</p>
		 <p>41.6 36</p>		<unit:mm>
Output method / 輸出模式	NPN.NO	SC□1808-N	SC□1808-NK	SC1808-NK1/M1
	NPN.NC	SC□1808-N2	SC□1808-N2K	SC1808-N2K1/M1
	PNP.NO	SC□1808-P	SC□1808-PK	SC1808-PK1/M1
	PNP.NC	SC□1808-P2	SC□1808-P2K	SC1808-P2K1/M1
	NPN.NO/NC PNP.NO/NC	SC□1808-KP2	SC□1808-KP2K	SC1808-KP2K1/M1
	SCR.NO	SC1808-A	SC1808-AK	—
	SCR.NC	SC1808-A2	SC1808-A2K	—
Sensing type / 檢出方式		Unshielded / 非隔離型		
Standard sensing object / 標準檢測物		Iron 18 × 18 × 1 mm		
Sensing distance / 檢出距離		8 mm		
Secure sensing distance / 建議距離		0 to 6.4 mm		
Hysteresis / 遲滯		≤ 10 % of sensing distance		
Response frequency / 反應頻率		DC Type 500 Hz / AC Type 20 Hz		
Operating voltage / 工作電壓		DC : 12 ~ 24 VDC / AC : 90 ~ 260 VAC		
Current consumption / 消耗電流		DC : ≤ 8 mA no-load / AC : 2 mA Max.		
Output current / 輸出電流		DC : 24V 100 mA max. / AC : 5 ~ 300 mA max.		
Leakage current / 漏電流		≤ 1.1 mA no-load		
Residual voltage / 殘餘電壓		≤ 1.5 VDC		
Insulation resistance / 隔離阻抗		20M Ω min. 500VDC		
Voltage withstandability / 絕緣耐壓		1000VAC for 1min.		
Operating temperature / 工作溫度		- 20 °C ~ + 60 °C		
Protection degree / 防水等級		IP 66		
Wiring method / 出線方式		N/P : ∅5.2 × 2M / 3-wire KP2 : ∅5.2 × 2M / 4-wire AC : ∅5.2 × 2M / 2-wire	M12 pigtailed type / M12 接頭15cm 電線式	M12 plug-in connector type / M12 接頭
Weight / 重量	SC	Approx. 90g	Approx. 30g	K1 : Approx. 25g/M1 : Approx. 30g
	SCL	Approx. 115g	Approx. 55g	K1 : Approx. 50g/M1 : Approx. 55g