

◆ Characteristics / 特點 :

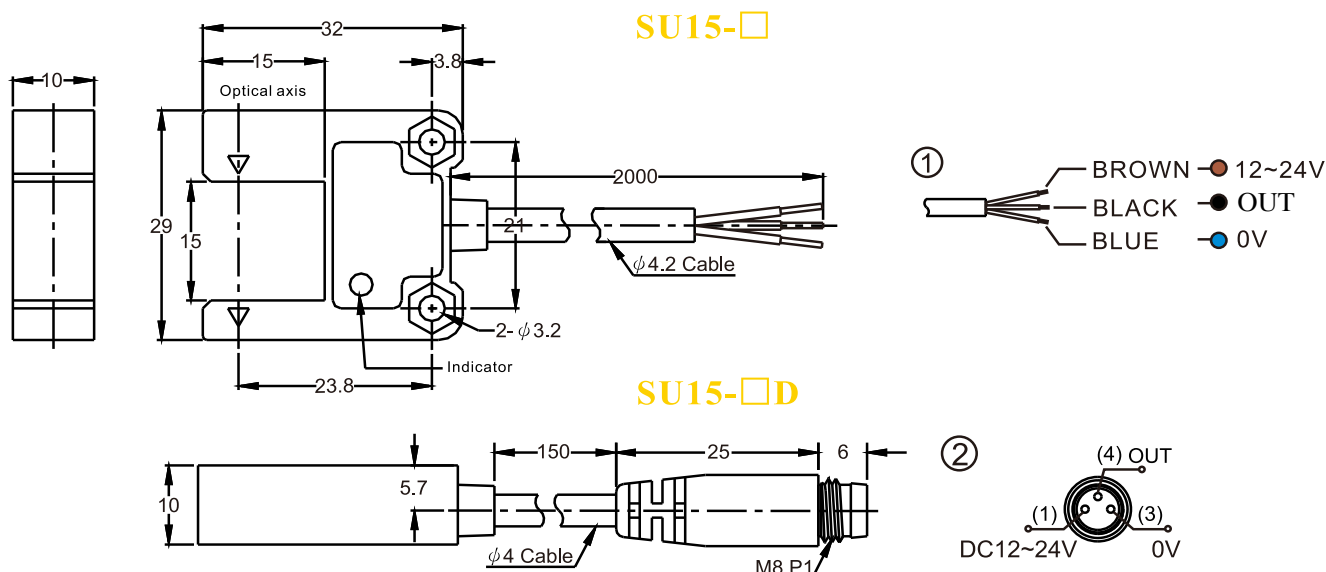
- High-speed response, 1 kHz (DC-light type)
/ 體積小, 反應速度快約1kHz。
- Wide vane, 15 mm (DC-light type)
/ 檢測距離15mm, 適用於小物體檢測。
- SU15 has a better prevention of outside light.
/ SU15對外亂光干擾抵抗優。



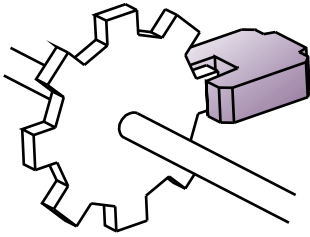
◆ Specifications / 規格表 :

Model / 型號	SU15-N	SU15-ND	SU15-P	SU15-PD
	SU15-N2	SU15-N2D	SU15-P2	SU15-P2D
Sensing distance / 檢出距離	15mm			
Min. detection object / 最小檢測物	Opaque / 非透明體 (Ø0.5 x 10.0mm)			
Emitting light / 發光源	Infrared LED 940nm			
Operating voltage / 工作電壓	DC12 ~ 24 V			
Current Consumption / 消耗電流	25 mA Max.			
Load current / 負載電流	100mA Max. at DC24V			
Output type / 輸出模式	NO Type	N:NPN N.O. (dark operated)		P:PNP N.O. (dark operated)
	NC Type	N2:NPN N.C. (light operated)		P2:PNP N.C.(light operated)
Response time / 反應時間	1 ms Max.			
Ambient illumination/使用環境光源	Incandescent light / 白光 : 1,000 lux max.			
Insulation resistance / 隔離阻抗	20MΩ min. (DC500V)			
Voltage withstandability / 絕緣耐壓	AC500V 60Hz for 60 Sec.			
Operating temperature/工作溫度範圍	-10°C ~ +55°C			
Ambient humidity/溼度範圍	45% ~ 85% RH 相對溼度			
Protection degree / 防水等級	IP64			
Vibration resistance / 耐震頻率	1.5-mm peak-to-peak amplitude, 10 to 55 Hz, 2 hours each in X, Y, and Z directions			
Shock resistance / 耐震度	50G, repeated 10 times each in X, Y, and Z directions			
Material / 外觀材質	PC			
Wiring method / 出線方式	Pre-wired Ø4.2 x 2 M / 3-wires	M8 pigtailed type / M8 接頭15cm電線式	Pre-wired Ø4.2 x 2 M / 3-wires	M8 pigtailed type / M8 接頭15cm電線式
Weight / 重量	Approx.55g	Approx.35g	Approx.55g	Approx.35g

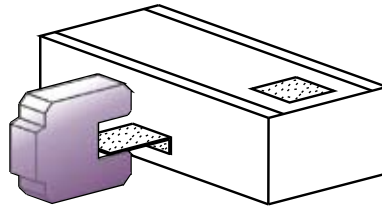
◆ Dimensions / 尺寸圖 :



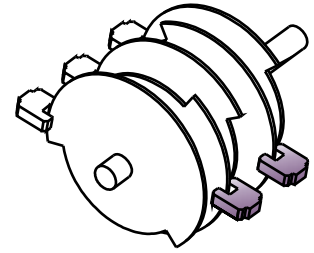
◆Applications / 應用 :



(A) Speed monitoring
/ 速度檢出



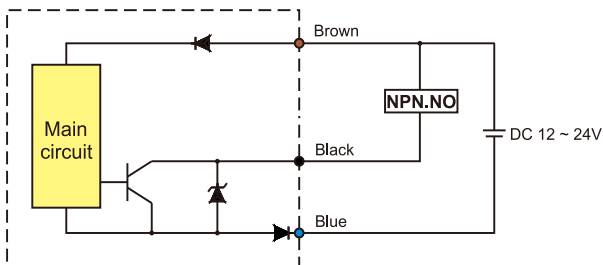
(B) Machine positioning
/ 位置檢出



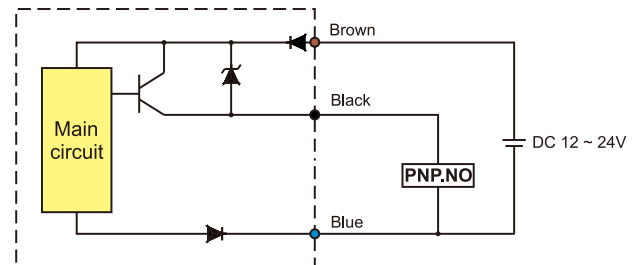
(C) Rotary cam sensing
/ 定位檢出

◆SU DC Light Output Circuit Diagrams / 接線圖 :

(a) SU-N



(b) SU-P



◆Dimensions/尺寸圖 :

