

◆Characteristics / 特點：

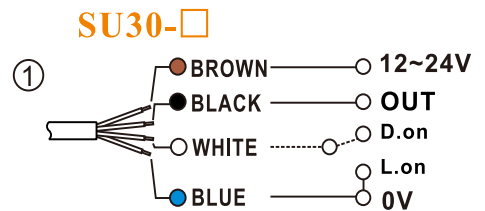
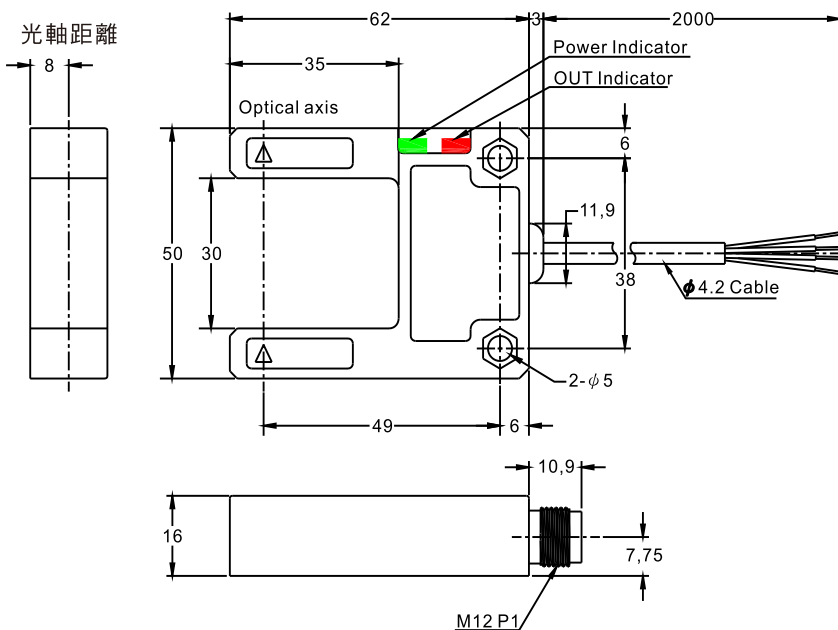
- Two indicators (power/sensing). Easy to recognize.
雙指示燈(電源指示/感應指示)容易辨認。
- The distance is 7mm between front edge and first optic axis.
/第一光軸與前端相距7mm。
- L. on/D. on switch available.
/可作L.on/D.on選擇。



◆Specifications / 規格表：

Model / 型號	NPN L.on/D.on	SU30-N	SU30-NK1
	PNP L.on/D.on	SU30-P	SU30-PK1
Sensing distance / 檢出距離	30 mm		
Min. detection object / 最小檢測物	Opaque / 非透明體 (Ø1.0 x 10.0mm)		
Emitting light / 發光源	Infrared LED 940 nm		
Operating voltage / 工作電壓	DC12 ~ 24 V		
Current Consumption / 消耗電流	20 mA Max.		
Load current / 負載電流	100mA Max. at DC24V		
Response time / 反應時間	1 ms Max.		
Ambient illumination/使用環境光源	Incandescent light / 白光 : 3,000 lux max.		
Insulation resistance / 隔離阻抗	20MΩ min. (DC500V)		
Voltage withstandability / 絕緣耐壓	AC500V 60Hz for 60 Sec.		
Operating temperature/工作溫度範圍	-20°C ~ + 60°C		
Ambient humidity/溼度範圍	35% ~ 85% RH 相對溼度		
Protection degree / 防水等級	IP64		
Vibration resistance / 耐震頻率	1.5 mm peak to peak amplitude, 10 to 55 Hz, 2 hours in X,Y and z directions		
Shock resistance / 耐震度	50 G repeated 10 times each in X,Y and Z directions		
Material / 外觀材質	PC		
Wiring method / 出線方式	Pre-wired Ø4.2 x 2 M / 4-wires	M12 pigtailed type / M12 接頭式	
Weight / 重量	Approx.86g		Approx.26g

◆Dimensions/尺寸圖：



SU30-□K1

