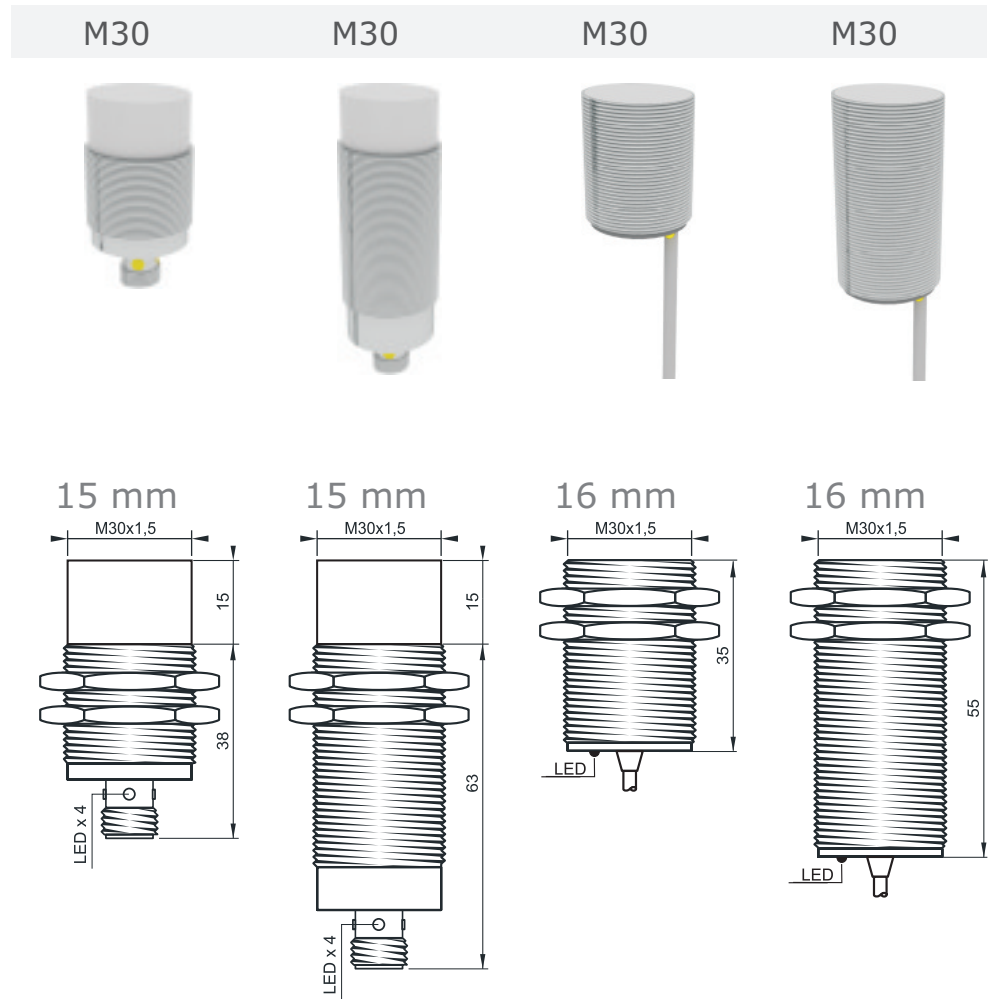
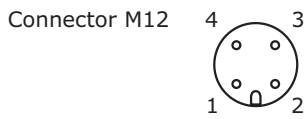
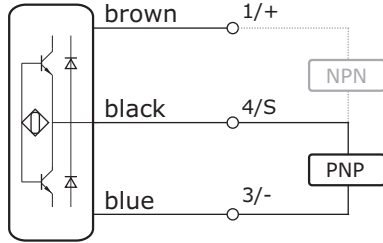


Autek Ltda. www.autek.cl ventas@autek.cl

Output Schematics

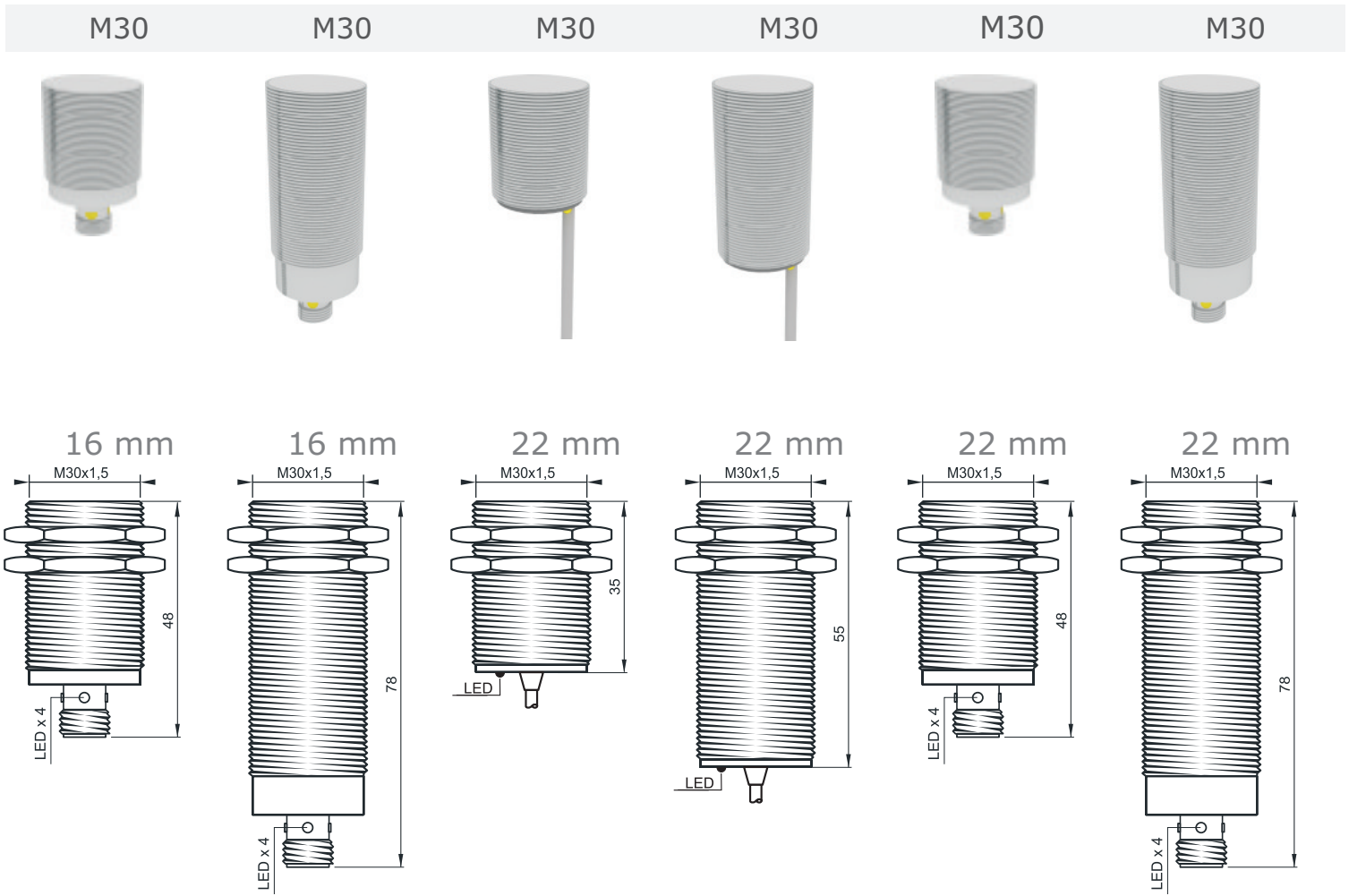


SPECIFICATIONS

	M30x1.5	M30x1.5	M30x1.5	M30x1.5
Sensing Distance	15 mm - Unshielded	15 mm - Unshielded	16 mm - Shielded	16 mm - Shielded
Operating Voltage	10...30 VDC, 3-wire	10...30 VDC, 3-wire	10...30 VDC, 3-wire	10...30 VDC, 3-wire
Reverse Polarity Protection	built-in	built-in	built-in	built-in
Current Consumption	< 8 mA	< 8 mA	< 8 mA	< 8 mA
Current Load Capability	200 mA	200 mA	200 mA	200 mA
Short Circuit Protection	built-in - self resetting	built-in - self resetting	built-in - self resetting	built-in - self resetting
Voltage Drop	< 1.5 V @ 200 mA	< 1.5 V @ 200 mA	< 1.5 V @ 200 mA	< 1.5 V @ 200 mA
Switching Frequency	150 Hz	150 Hz	150 Hz	150 Hz
Repeatability	< 1 % (Sn)	< 1 % (Sn)	< 1 % (Sn)	< 1 % (Sn)
Hysteresis	3...15 %	3...15 %	3...15 %	3...15 %
Operating Temperature	-25...75 °C	-25...75 °C	-25...75 °C	-25...75 °C
Protection Class	IP67	IP67	IP67	IP67
Sensing Face Material	POM	POM	POM	POM
Housing Material	Plated Brass	Plated Brass	Plated Brass	Plated Brass
Connection	Connector M12, 4-pole	Connector M12, 4-pole	High-Flex PVC, 2m	High-Flex PVC, 2m
Output Indicator	Integrated	Integrated	Integrated	Integrated
Article Code				
PNP - NO, 3-wire	IPS30-N15PO53/M12	IPS30-N15PO79/M12	IPS30-S16PO35/A2P	IPS30-S16PO55/A2P
PNP - NC, 3-wire	IPS30-N15PC53/M12	IPS30-N15PC79/M12	IPS30-S16PC35/A2P	IPS30-S16PC55/A2P
PNP - NO+NC, 4-wire				
NPN - NO, 3-wire	IPS30-N15NO53/M12	IPS30-N15NO79/M12	IPS30-S16NO35/A2P	IPS30-S16NO55/A2P
NPN - NC, 3-wire	IPS30-N15NC53/M12	IPS30-N15NC79/M12	IPS30-S16NC35/A2P	IPS30-S16NC55/A2P
NPN - NO+NC, 4-wire				
10...55 VDC - NO, 2-wire		IPS30-N15DO79/M12		IPS30-S16DO55/A2P
10...55 VDC - NC, 2-wire		IPS30-N15DC79/M12		IPS30-S16DC55/A2P
Recommended Connecting Cable	M12/3...	M12/3...	-	-

Inductive Proximity Switches

Autek Ltda. www.autek.cl ventas@autek.cl



M30x1.5	M30x1.5	M30x1.5	M30x1.5	M30x1.5	M30x1.5
16 mm - Shielded	16 mm - Shielded	22 mm - Shielded	22 mm - Shielded	22 mm - Shielded	22 mm - Shielded
10...30 VDC, 3-wire built-in	10...30 VDC, 3-wire built-in	10...30 VDC, 3-wire built-in	10...30 VDC, 3-wire built-in	10...30 VDC, 3-wire built-in	10...30 VDC, 3-wire built-in
< 8 mA	< 8 mA	< 8 mA	< 8 mA	< 8 mA	< 8 mA
200 mA	200 mA	200 mA	200 mA	200 mA	200 mA
built-in - self resetting	built-in - self resetting	built-in - self resetting	built-in - self resetting	built-in - self resetting	built-in - self resetting
< 1.5 V @ 200 mA	< 1.5 V @ 200 mA	< 1.5 V @ 200 mA	< 1.5 V @ 200 mA	< 1.5 V @ 200 mA	< 1.5 V @ 200 mA
150 Hz	150 Hz	300 Hz	300 Hz	300 Hz	300 Hz
< 1 % (Sn)	< 1 % (Sn)	< 1 % (Sn)	< 1 % (Sn)	< 1 % (Sn)	< 1 % (Sn)
3...15 %	3...15 %	3...15 %	3...15 %	3...15 %	3...15 %
-25...75 °C	-25...75 °C	-25...75 °C	-25...75 °C	-25...75 °C	-25...75 °C
IP67	IP67	IP67	IP67	IP67	IP67
POM	POM	POM	POM	POM	POM
Plated Brass	Plated Brass	Plated Brass	Plated Brass	Plated Brass	Plated Brass
Connector M12, 4-pole Integrated	Connector M12, 4-pole Integrated	High-Flex PVC, 2m Integrated	High-Flex PVC, 2m Integrated	Connector M12, 4-pole Integrated	Connector M12, 4-pole Integrated
IPS30-S16PO48/M12	IPS30-S16PO79/M12	IPS30-S22PO35/A2P	IPS30-S22PO55/A2P	IPS30-S22PO48/M12	IPS30-S22PO79/M12
IPS30-S16PC48/M12	IPS30-S16PC79/M12	IPS30-S22PC35/A2P	IPS30-S22PC55/A2P	IPS30-S22PC48/M12	IPS30-S22PC79/M12
IPS30-S16NO48/M12	IPS30-S16NO79/M12	IPS30-S22NO35/A2P	IPS30-S22NO55/A2P	IPS30-S22NO48/M12	IPS30-S22NO79/M12
IPS30-S16NC48/M12	IPS30-S16NC79/M12	IPS30-S22NC35/A2P	IPS30-S22NC55/A2P	IPS30-S22NC48/M12	IPS30-S22NC79/M12
	IPS30-S16DO79/M12				
	IPS30-S16DC79/M12				
M12/3...	M12/3...	-	-	M12/3...	M12/3...