

Teach-In Type Mark Sensor

J3 series

200 micro sec response under Green LED.

■ NPN type

Cable type J3M-GH01N(head-on),J3M-GS01N(side-on)
 M8 Connector type J3M-GH01CN(head-on),J3M-GS01CN(side-on)

■ PNP type

Cable type J3M-GH01P(head-on),J3M-GS01P(side-on)
 M8 Connector type J3M-GH01CP(head-on),J3M-GS01CP(side-on)



Features

Fast Response 200 micro sec, 10±2mm sensing distance

A latest Green LED with physical composition of GlanN2.
 It's best for mark sensing. (ex.J3M-GH01)



Narrow View Type

J3 series Fine spot type

Fine spot type under very narrow optical field.

■ Retro reflection(N for NPN, P for PNP, S for side-on, H for head-on)

Cable type J3R-H100N, J3R-H100P, J3R-S100N, J3R-S100P
 M8 Connector type J3R-H100CN, J3R-H100CP, J3R-S100CN, J3R-S100CP

*All the Retro Type are equipped with Polarizing filter

■ BGS(N for NPN, P for PNP, S for side-on, H for head-on)

Cable type BGS-3JH05N, BGS-3JS05N, BGS-3JH05P, BGS-3JS05P
 M8 Connector type BGS-3JH05CN, BGS-3JS05CN, BGS-3JH05CP, BGS-3JS05CP



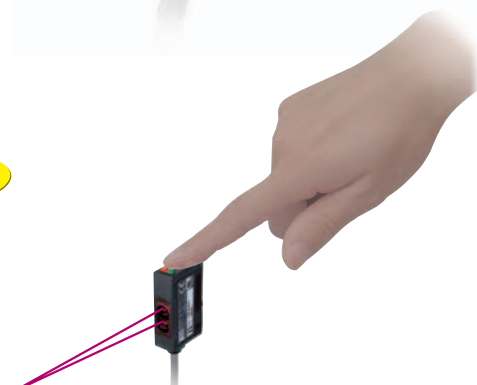
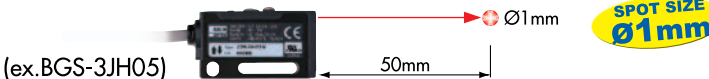
Features

Best for sensing fine object with Teach-in setting

Retro reflection



BGS



Specifications J3 series < Mark Sensor, Narrow view type, BGS type >

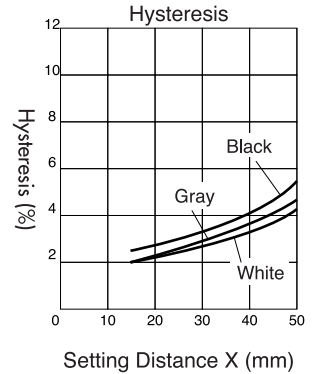
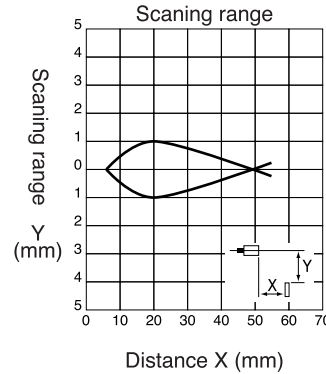
| Model | Mark sensor | Retoro-Narrow View | BGS |
|---------------------------|---------------------|-------------------------------|---------------------|
| Cable type NPN/PNP | J3M-GH(S)01N/01P | J3R-H(S)100N/100P | BGS-3JH(S)05N/05P |
| M8 connector type NPN/PNP | J3M-GH(S)01CN/01CP | J3R-H(S)100CN/100CP | BGS-3JH(S)05CN/05CP |
| (Remark) | | *H = horizontal, S = vertical | |
| Sensing range | 10+/-2m | 0.05-1m | 15-50mm/18% |
| Power consumption | | 40mA Max | |
| Response time | | 0.2m sec | 0.7m sec |
| Hysteresis | N/A | N/A | 5% |
| Min objectives | Appr 2 x 5mm @ 10mm | 1mm @ 100mm | 0.5mm round @ 50mm |
| Light source | Green | Red eliminating ball lens | Red |

Common Specs J3 series

| Type | All J3 series |
|-------------------------|---|
| Off delay | 40m sec fix |
| Supply voltage | 10 to 30 V DC including 10% of ripple |
| Control output | NPN or PNP Open collector, 100mA Max / 30V DC |
| Sensitivity adjustment | Teach-in |
| Remote teach-in | Available |
| Shock resistance | 100G(1,000m/S ²), X-Y-Z axis 3times |
| Remarks | Light ON/Dark ON switchover |
| Ambient Temp | -25 to 55 °C |
| Ambient humidity | 35 to 95% RH |
| Storage conditions | -40 up to 70 °C, 35 - 95% RH |
| Environment illuminance | Sunlight:10,000lux max., Incandescent lamp:3,000 lux max. |
| Insulation resistance | Min. 20 M Ohm/DC500V |
| Conformity | JIS, CE, CRY |
| (JIS C4525) | 1 μ sec, 300V |
| Feilen Test | Level 3 |
| VDE protection | Class 3 |
| Vibration resistance | 10 50 55 Hz amplitude 1.5mm, X-Y-Z for 2 hours |
| Protection category | IP67 |
| Housing Material | Case:PBT, Lens:Pmma |

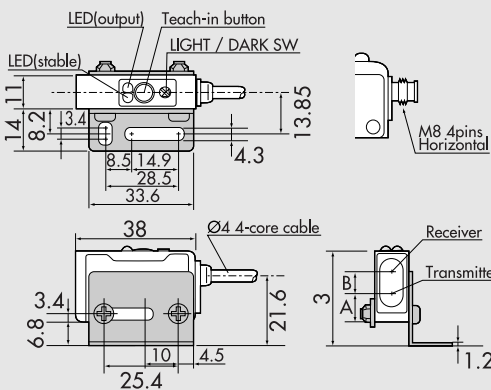
Typical Characteristics(Examples)

●BGS-3JH(S)05N(P)

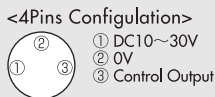


Dimensions

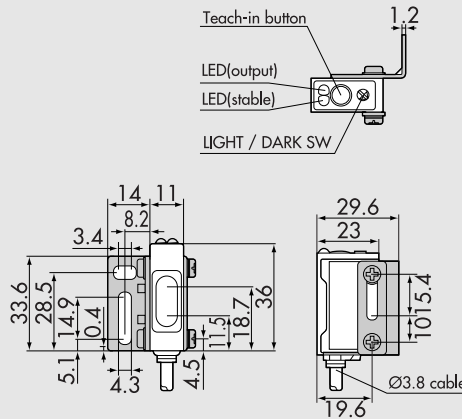
●Head ON type



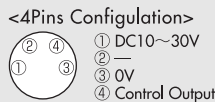
| Axis | A | B |
|-------------|------|-----|
| BGS | 9.25 | 6.9 |
| Mark sensor | 9.65 | 6 |



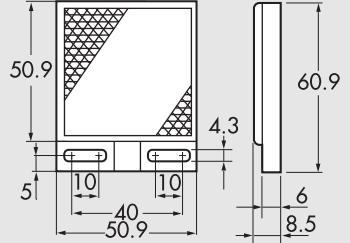
●Side ON type



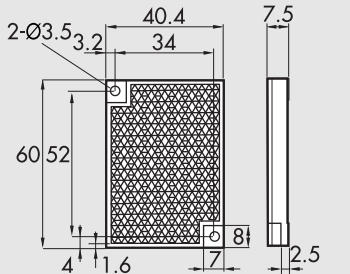
| Axis | A | B |
|-------------|------|-----|
| BGS | 11.7 | 6.9 |
| Mark sensor | 12.1 | 6 |



●Standard reflector V-61



●Anti-blur reflector V-60k



Unit : mm

*Technical date, specsheet, instruction manual and this catalogue is available for download. Visit our Website ; <http://www.optex-fa.com>
For technical support please call our authorized distributor in your country that is also listed in our Website.



OPTEX FA CO., LTD.

607-8085 Kyoto, Yamashina-ku, Takehanadounomae-cho 46-1, Japan
TEL +81-75-594-8123 FAX +81-75-594-8124

Autek Ltda. web:www.autek.cl email:ventas@autek.cl teléfono: 02-5479480

74314-01-0505