

# Inductive Proximity Switches

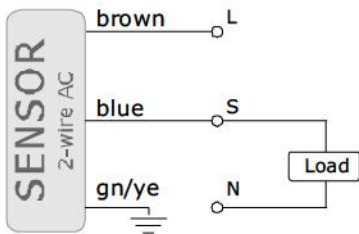
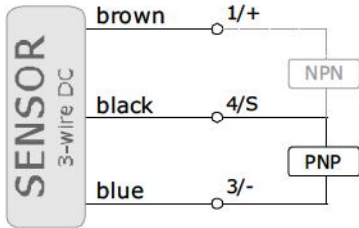
## 10...30 VDC | 20... 250 VAC

INDUCTIVE

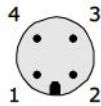
40x40

40x40

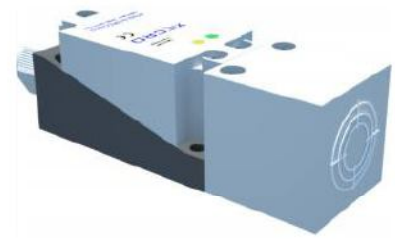
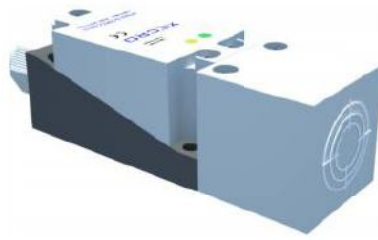
### Output Schematics



Connector M12

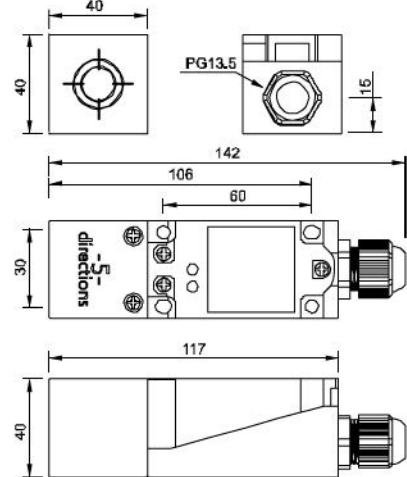
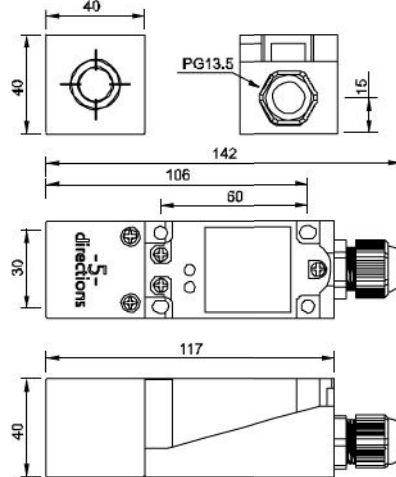


The use of this sensors is not permitted if the safety of people is relying upon it.



15 mm

20 mm



### SPECIFICATIONS

	40x40 mm	40x40 mm	40x40 mm	40x40 mm
Sensing Distance	15 mm - Shielded	15 mm - Shielded	20 mm - Semi	20 mm - Semi
Operating Voltage	10... 30   10... 55 VDC	20... 250 VAC	10... 30   10... 55 VDC	20... 250 VAC
Idle Current	< 11 mA	< 2 mA (Idle Current)	< 11 mA	< 2 mA (Idle Current)
Output Current	200 mA, self-resetting	400 mA	200 mA, self-resetting	400 mA
Voltage Drop	< 2 V @ 200 mA	< 8 V @ 400 mA	< 2 V @ 200 mA	< 8 V @ 400 mA
Switching Frequency	120 Hz	25 Hz	120 Hz	25 Hz
Repeatability	< 1 % (Sn)	< 1 % (Sn)	< 1 % (Sn)	< 1 % (Sn)
{SPECS_5_9}	3...15 %	3...15 %	3...15 %	3...15 %
Operating Temperature	-25...75 °C	-25...75 °C	-25...75 °C	-25...75 °C
Protection Class	IP67	IP67	IP67	IP67
Sensing Face Material	5 Directions	5 Directions	5 Directions	5 Directions
Housing Material	PBT	PBT	PBT	PBT
Connected	PG13.5, Terminal	PG13.5, Terminal	PG13.5, Terminal	PG13.5, Terminal
Operating-LED	Incorporated	Incorporated	Incorporated	Incorporated

3-wire NO+NC, PNP

IPS40 S15PCOL/PG13

IPS40 S20PCOL/PG13

3-wire NO+NC, NPN

IPS40 S15NCOL/PG13

IPS40 S20NCOL/PG13

2-wire NO, 10... 55 VDC

IPS40 S15DOL/PG13

IPS40 S20DOL/PG13

2-wire NC, 10... 55 VDC

IPS40 S15DCL/PG13

IPS40 S20DCL/PG13

2-wire NO, 20... 250 VAC

IPS40 S15AOL/PG13

IPS40 S20AOL/PG13

2-wire NC, 20... 250 VAC

IPS40 S15ACL/PG13

IPS40 S20ACL/PG13

Recommended Connecting Cable

-

-

-

-

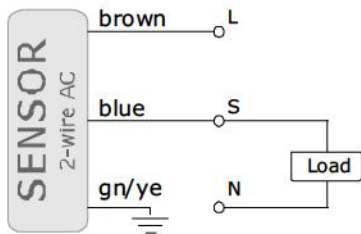
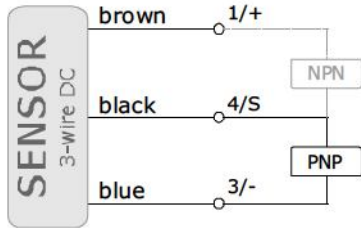


# Inductive Proximity Switches

10...30 VDC | 20... 250 VAC

INDUCTIVE

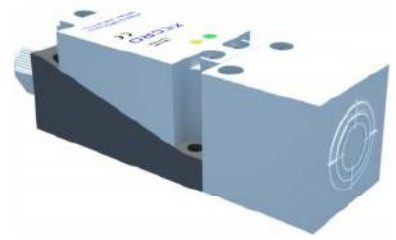
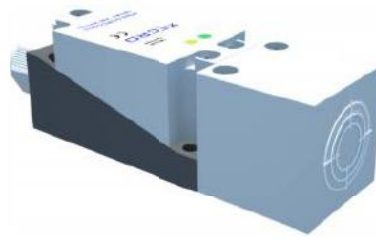
## Output Schematics



The use of this sensors is not permitted if the safety of people is relying upon it.

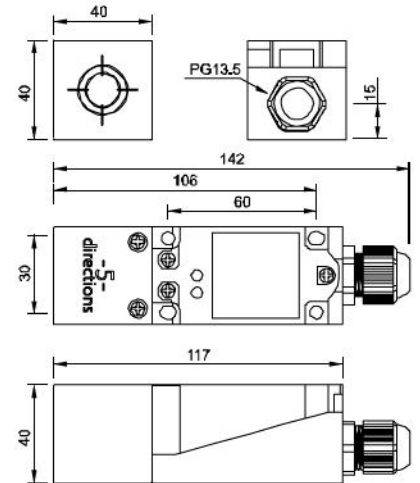
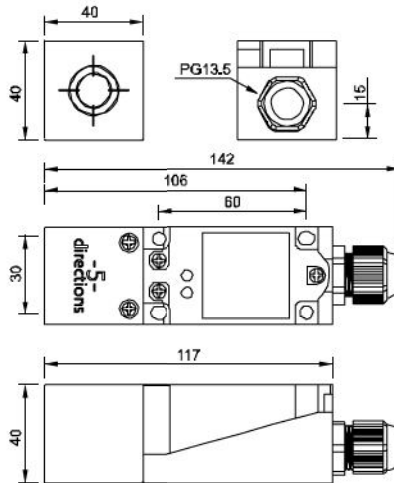
40x40

40x40



25 mm

30 mm



## SPECIFICATIONS

Sensing Distance

25 mm - Shielded

30 mm - Semi

Operating Voltage

10... 30 | 10... 55 VDC

10... 30 | 10... 55 VDC

Idle Current

< 11 mA

< 11 mA

Output Current

200 mA, self-resetting

200 mA, self-resetting

Voltage Drop

< 2 V @ 200 mA

< 2 V @ 200 mA

Switching Frequency

120 Hz

120 Hz

Repeatability

< 1 % (Sn)

< 1 % (Sn)

Hysteresis

3...15 %

3...15 %

Operating Temperature

-25...75 °C

-25...75 °C

Protection Class

IP67

IP67

Sensing Face Material

5 Directions

5 Directions

Housing Material

PBT

PBT

Connected

PG13.5, Terminal

PG13.5, Terminal

Operating-LED

Incorporated

Incorporated

### Article Code

3-wire NO+NC, PNP

IPS40 S25PCOL/PG13

IPS40 S30PCOL/PG13

3-wire NO+NC, NPN

IPS40 S25NCOL/PG13

IPS40 S30NCOL/PG13

2-wire NO, 10... 55 VDC

2-wire NC, 10... 55 VDC

2-wire NO, 20... 250 VAC

2-wire NC, 20... 250 VAC

Recommended Connecting Cable

-

-

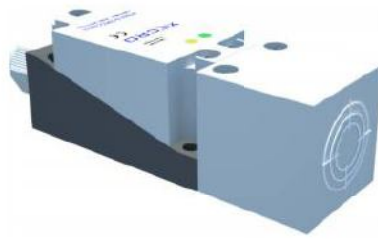
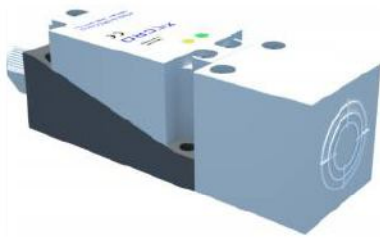
# Inductive Proximity Switches

10...30 VDC | 20... 250 VAC

INDUCTIVE

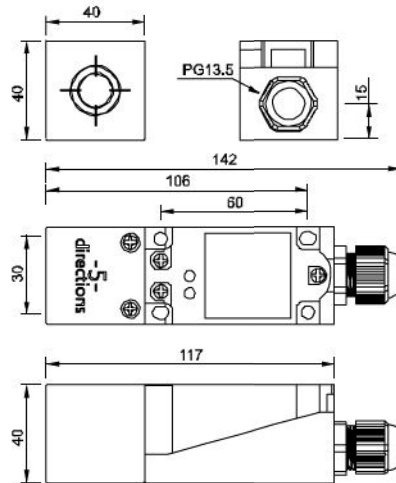
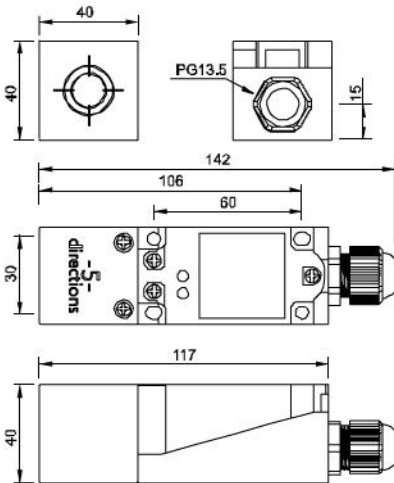
40x40

40x40



30 mm

40 mm



40x40 mm

40x40 mm

40x40 mm

30 mm - Unshielded

30 mm - Unshielded

40 mm - Unshielded

10... 30 | 10... 55 VDC 20... 250 VAC

< 11 mA

< 2 mA (Idle Current)

10... 30 | 10... 55 VDC

< 11 mA

200 mA, self-resetting

400 mA

200 mA, self-resetting

< 2 V @ 200 mA

< 8 V @ 400 mA

< 2 V @ 200 mA

120 Hz

25 Hz

120 Hz

< 1 % (Sn)

< 1 % (Sn)

< 1 % (Sn)

3...15 %

3...15 %

3...15 %

-25...75 °C

-25...75 °C

-25...75 °C

IP67

IP67

IP67

5 Directions

5 Directions

5 Directions

PBT

PBT

PBT

PG13.5, Terminal

PG13.5, Terminal

PG13.5, Terminal

Incorporated

Incorporated

Incorporated

IPS40 N30PCOL/PG13

IPS40 N30NCOL/PG13

IPS40 N30DOL/PG13

IPS40 N30DCL/PG13

IPS40 N40PCOL/PG13

IPS40 N40NCOL/PG13

IPS40 N30AOL/PG13

IPS40 N30ACL/PG13